

PART NAME

NEMA 4X DIE CAST ALUMINUM ENCLOSURE

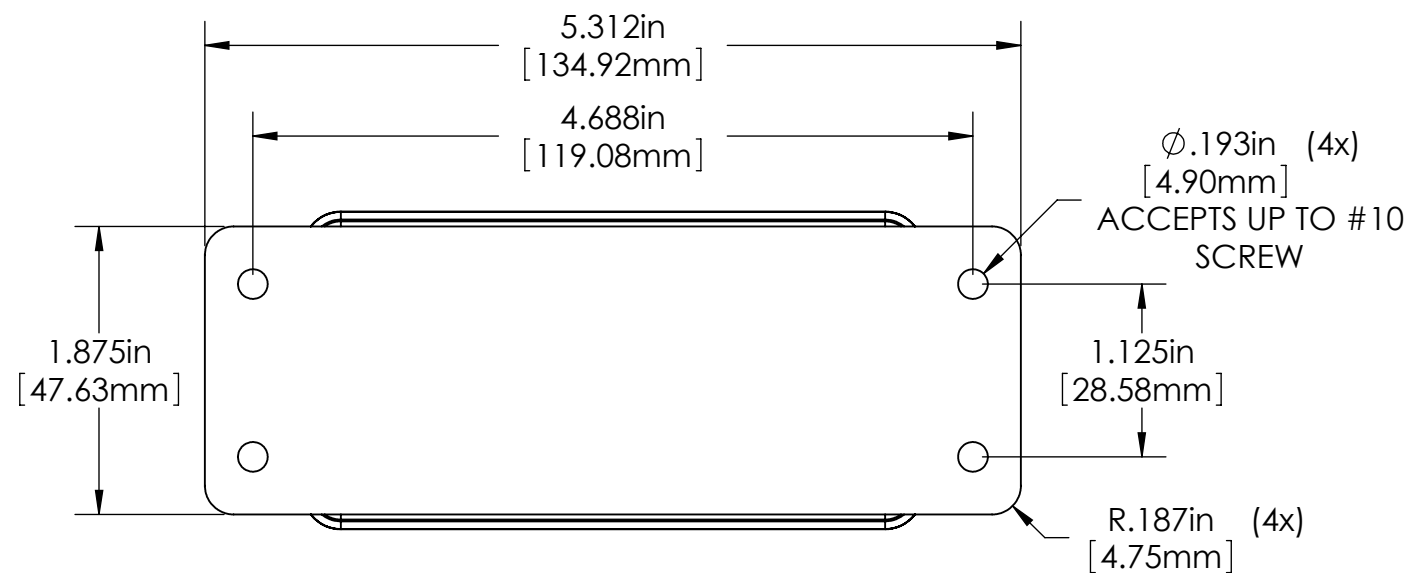
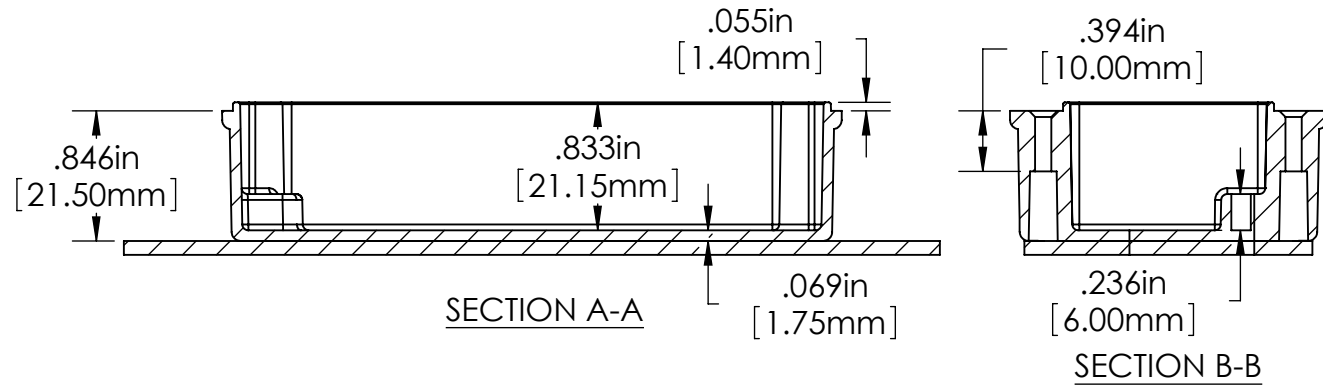
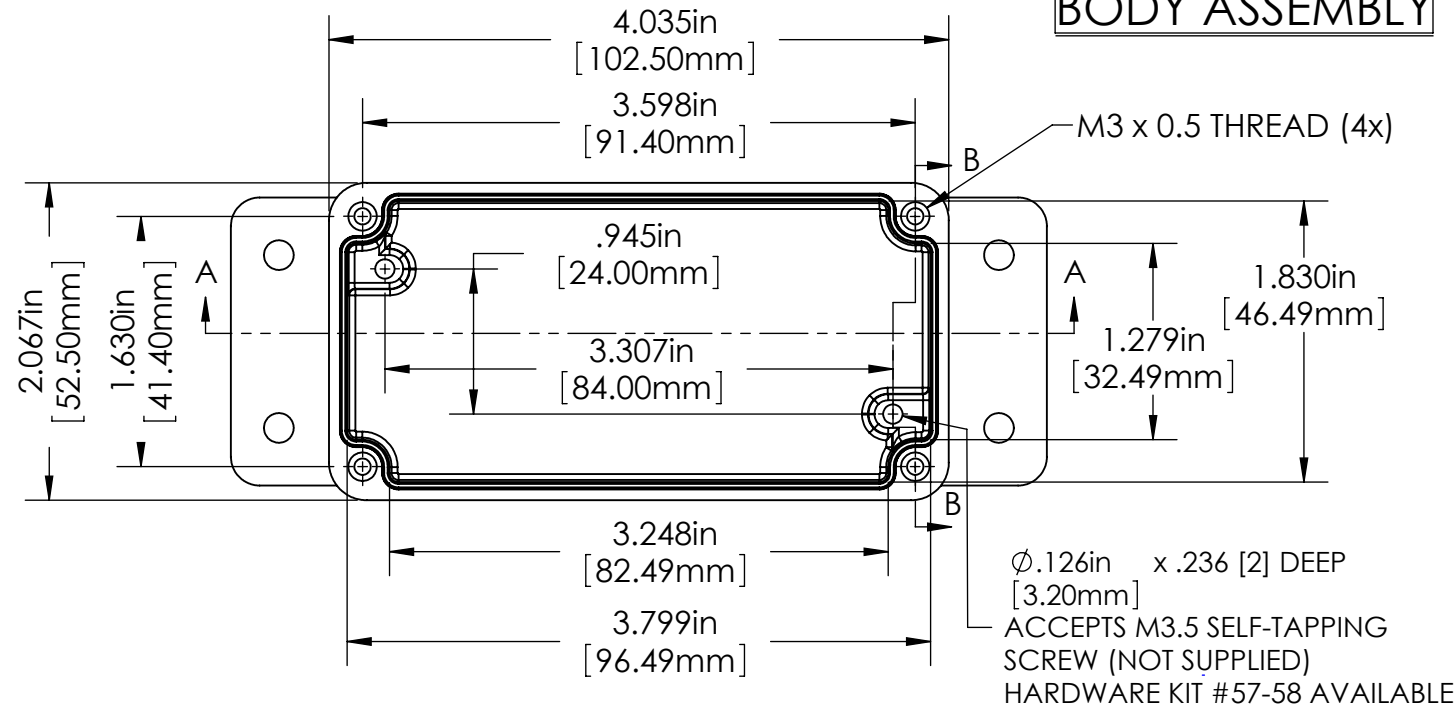
PART No.

AN-2820

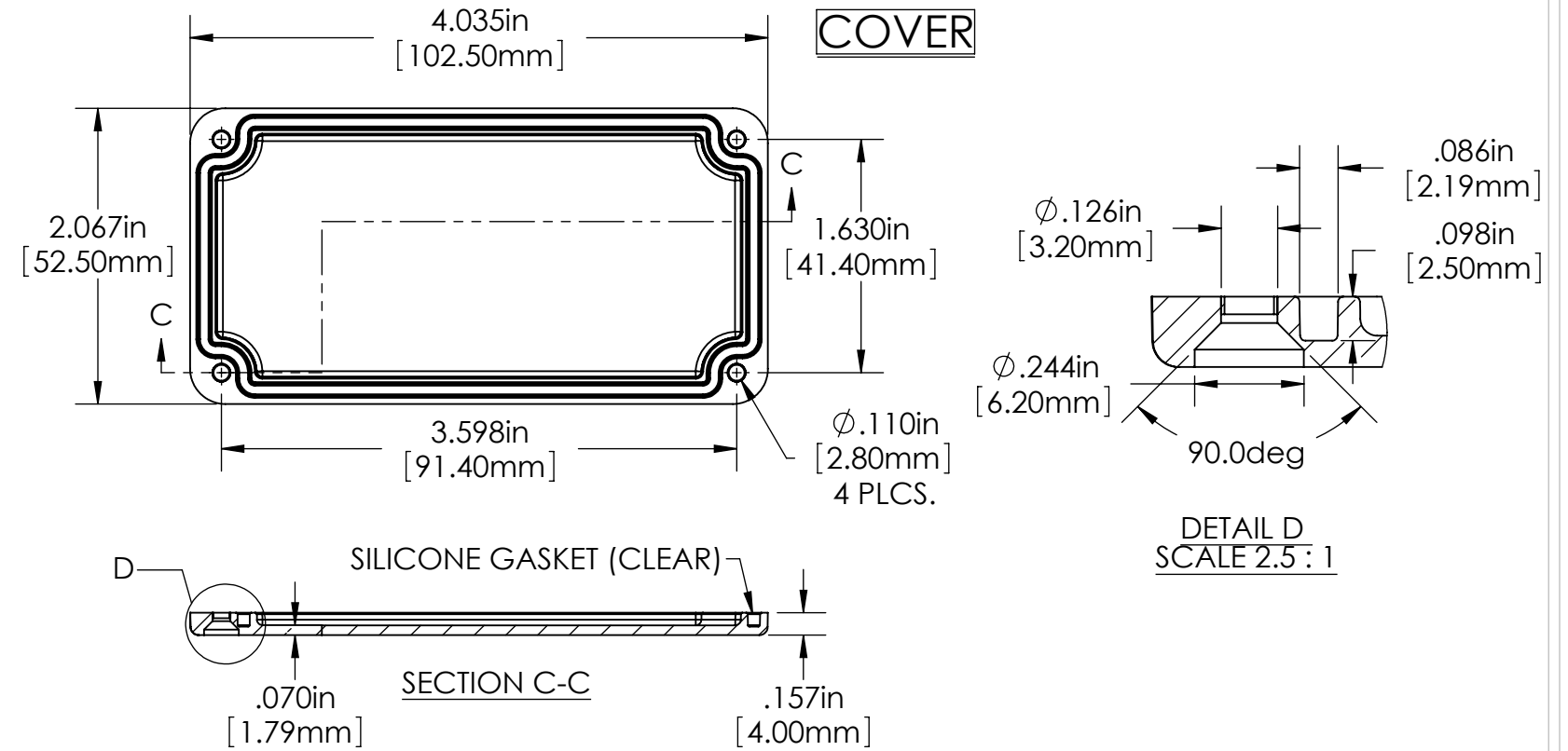
AN-2820-B

REVISION DATE 8/18/2010

BODY ASSEMBLY

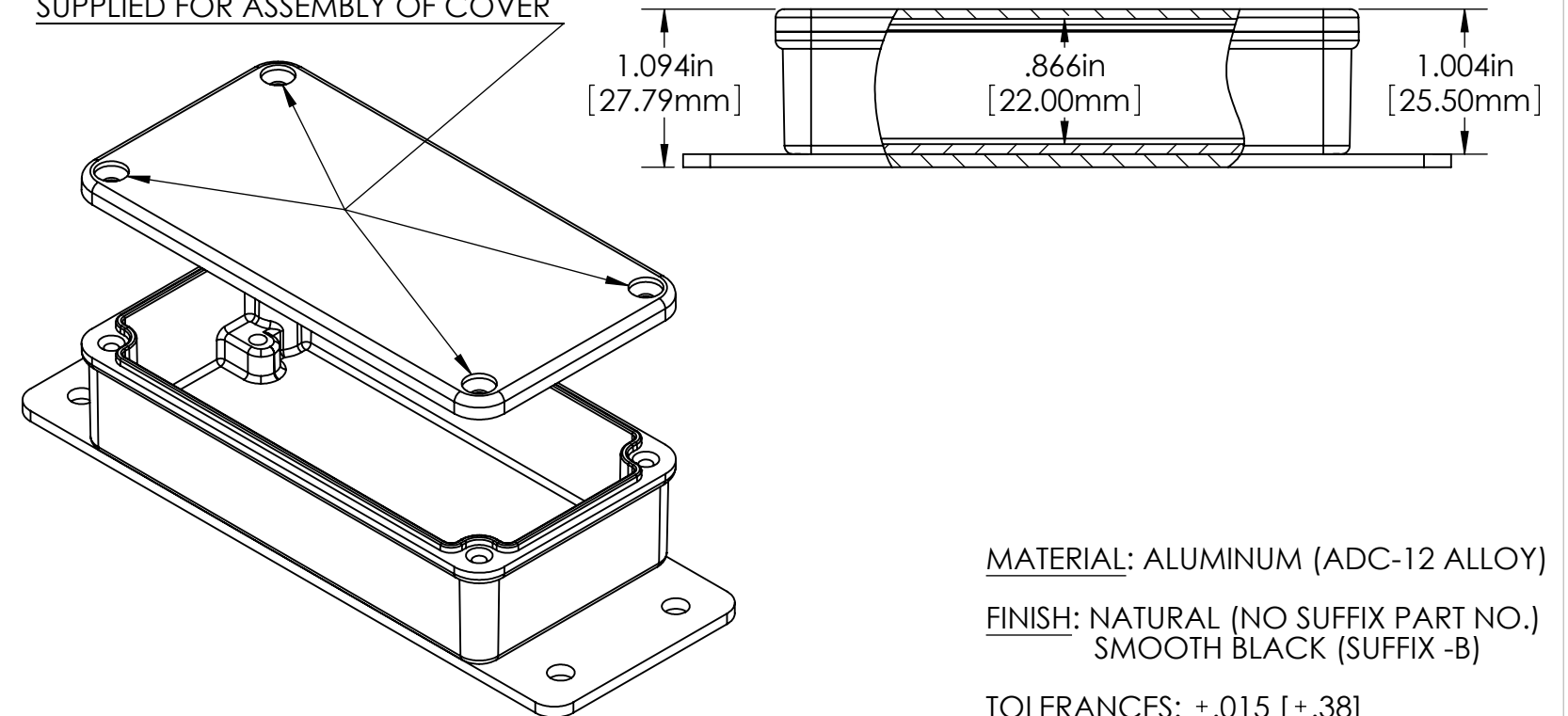


COVER



ASSEMBLY

FOUR (4) M3 x 0.5 x 12mm (.472") LG. FLAT HD. STAINLESS STEEL SCREWS SUPPLIED FOR ASSEMBLY OF COVER



MATERIAL: ALUMINUM (ADC-12 ALLOY)

FINISH: NATURAL (NO SUFFIX PART NO.) SMOOTH BLACK (SUFFIX -B)

TOLERANCES: ±.015 [±.38]